

Assembly Instruction Sheet #IS-MHE9010K For Styles MHE9010K

Quozel, Inc.
 6 Corporate Parkway
 Goose Creek, SC
 29445

Customer Service
 Phone 631.273.2700
 Fax 631.231.7102
 www. quozel. com

Tools Required: Flathead screwdriver, Phillips screwdriver, pliers, wire cutters, wire strippers, electrical tape, safety glasses.

Bulb Recommended: (3) Candelabra Base 60W Maximum

Estimated Assembly Time: 20-30 minutes

Preparation: Identify and inspect all parts before beginning installation. Check package content list and diagrams below to be sure all parts are present. If any parts are missing or damaged, do not attempt to assemble, install, or operate the fixture. Contact customer service for replacement parts.



Warnings and Cautions

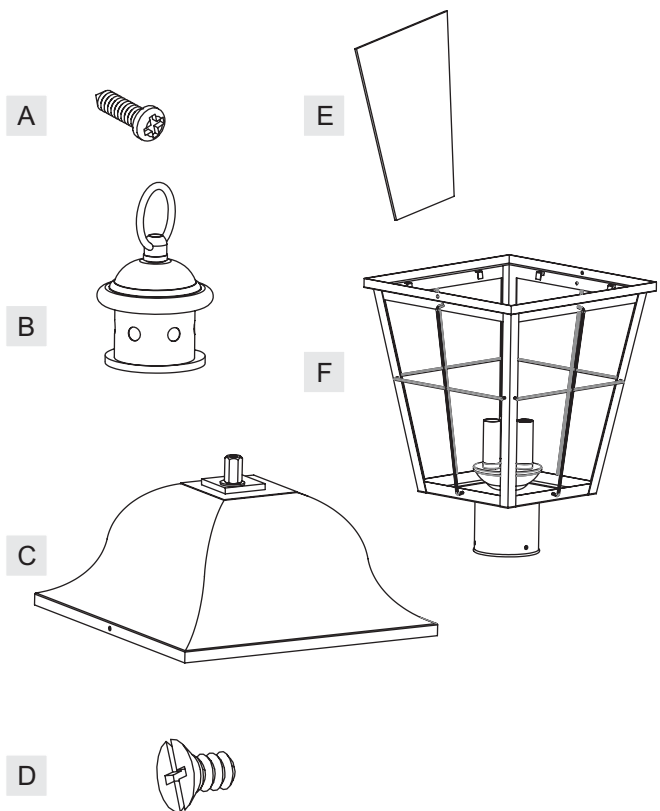
Turn off electricity at circuit breaker or main fuse box before installation. Consult a licensed electrician if in doubt.

These instructions are provided for your safety. It is very important you read them completely before installing the fixture. We strongly recommend that a licensed, professional electrician perform the installation.

Disconnect fixture from power source before replacing bulbs. Make sure bulbs are given sufficient time to cool before removal. Do not subject glass parts to any shock while in operation or shattering may result.

Package Contents

Part	Description	Quantity
A	Mounting Screw	3 pcs.
B	Fixture Loop	1 pc.
C	Fixture Hood	1 pc.
D	Lock Screw	2 pcs.
E	Panel	4 pcs.
F	Fixture Body	1 pc.

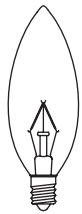
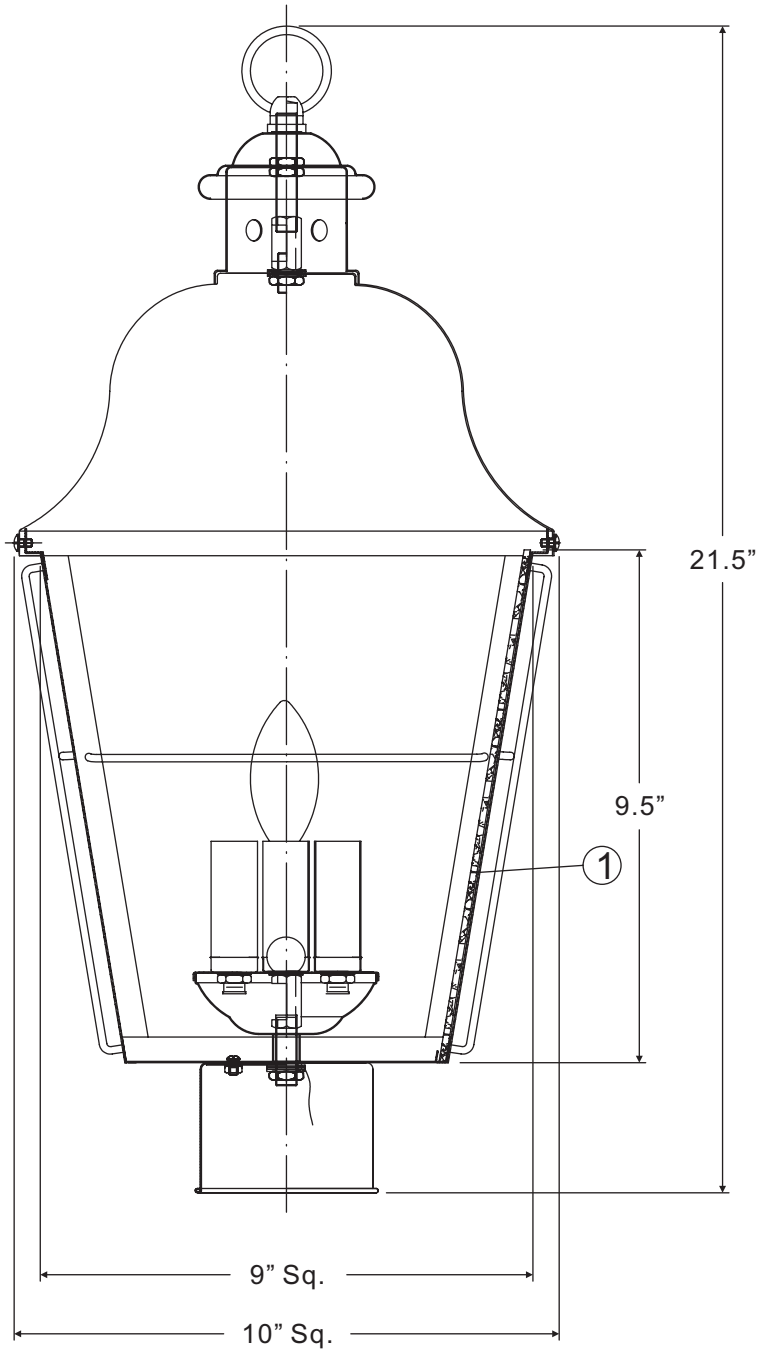
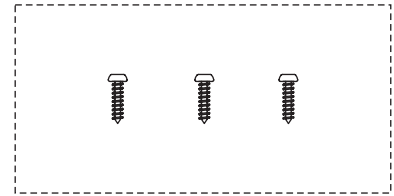


Thank you for purchasing a Quozel product.

**Need assistance with parts or assembly? Call Quozel customer service at 1-631-273-2700
 or visit us on-line at www. quozel. com**

MHE9010K

FINISH: MYSTIC BLACK



(3)60W Candelabra
base bulbs
(not Supplied)

NOTE: ALL DIMENSIONS ARE ROUNDED UP TO THE NEAREST 1/2"

NO.	PART NUMBER	REPLACEMENT PART DESCRIPTION	REQ.
1	G3780PA	CLEAR SEEDY GLASS PANEL	4

STEP 1 – Attach panel to Cage

- A. Insert Panels (E) into the Slot inside of the Cage then fold the Tabs in the top of the Cage to secure the Panels (E).

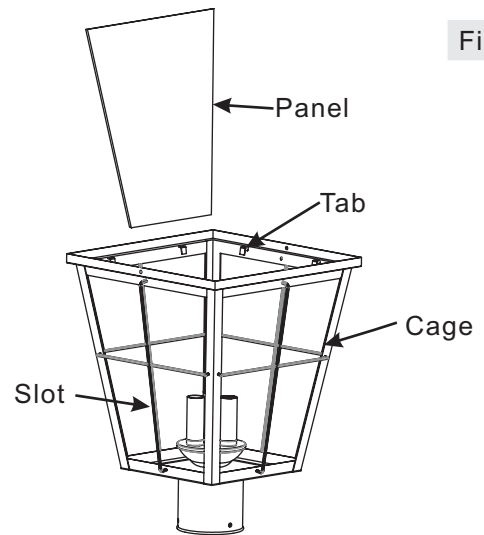


Figure 1

STEP 2 – Install Bulb

- A. This fixture uses standard bulb with a candelabra screw base. Maximum 60 watts.
B. Insert bulb and screw snugly into place.

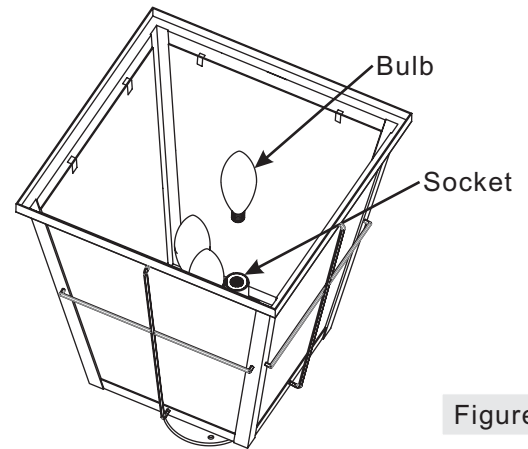


Figure 2

STEP 3 – Attach Cage with Panels to Fixture Body

- A. Align the Hole on the Fixture Hood with the Mounting Hole on the Cage, secure by thread Lock Screw (D) into the Mounting Hole. Tighten until snug.

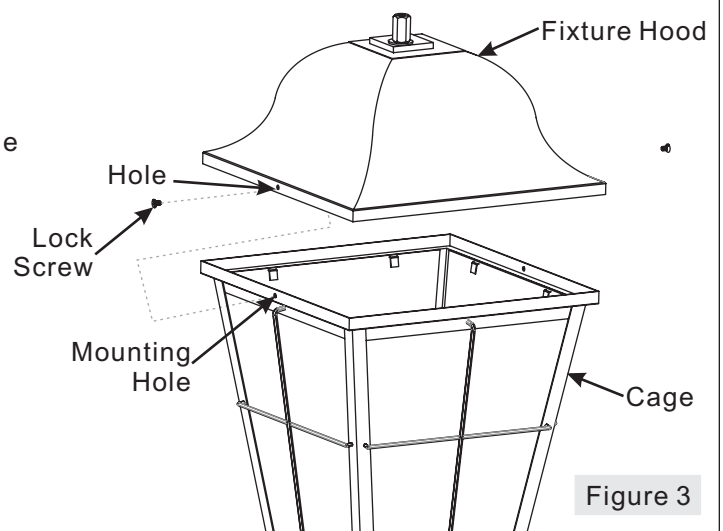


Figure 3

Thank you for purchasing a Quozel product.
Need assistance with parts or assembly? Call Quozel customer service at 1-631-273-2700
or visit us on-line at www. quozel. com

STEP 4 – Install Fixture Loop

- A. Thread Fixture Loop (B) onto the Fixture Hood (C), hand tighten until snug.

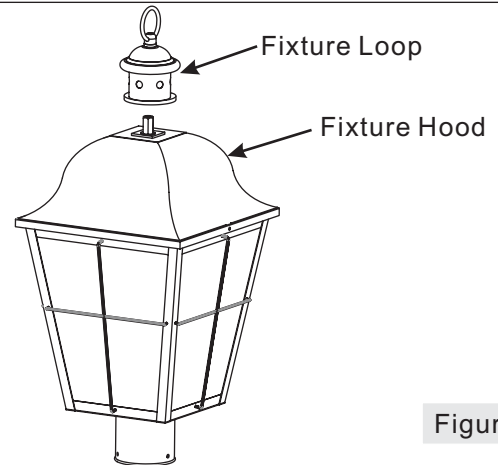


Figure 4

STEP 5 – Drill Pilot Holes on Post

- A. Carefully fit the Post Fitter over the end of the Post (not supplied), making sure the Post Fitter is fully seated.
- B. Mark the drill point for the (3) Mounting Screws, using (3) Mounting Holes as reference. After marking hole locations, remove fixture from post and drill 1/16" pilot holes for screws.

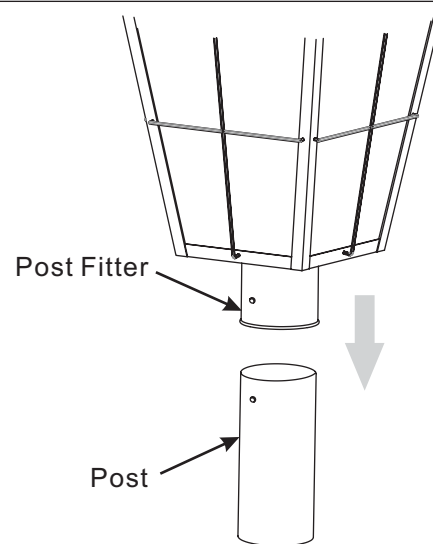


Figure 5

Thank you for purchasing a Quozel product.

Need assistance with parts or assembly? Call Quozel customer service at 1-631-273-2700
or visit us on-line at www. quozel. com

STEP 6 – Make Wire Connections

- Use standard wire connectors to make all wire connections. (Connectors are not included with fixture.) Strip and prepare wire ends according to instructions supplied with connectors.
- Connect White Supply Wire from the Post to White Wire from fixture.
- Connect Black (or Red) Supply Wire from the Post to Black Wire from fixture.
- Connect Ground Wire from the Post to Ground Wire from fixture.
- Twist connectors until wires are tightly joined together.
- Wrap each connection with approved electrical tape and carefully stuff all the connected wires into the Post.

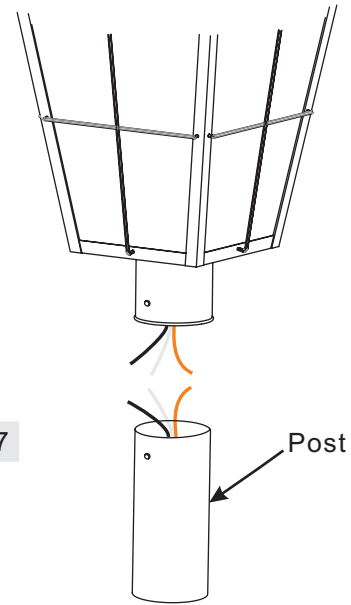


Figure 7

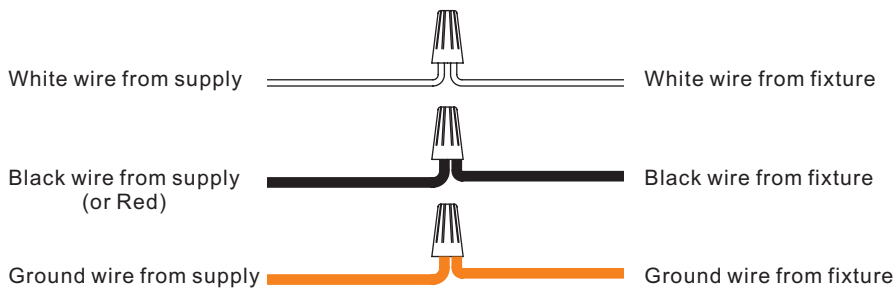


Figure 6

STEP 7 – Attach Fixture Body to Post

- Coat the top 1" of the Post with Clear Silicone Caulk (not supplied) and position the Post Fitter onto the Post. Be sure to seat it completely, aligning the holes in the Fitter with the 1/16" Pilot Holes drilled into the Post.
- Secure the Fixture to Post with (3) Mounting Screws.

Your lamp fixture is now assembled and ready to use.
Enjoy!

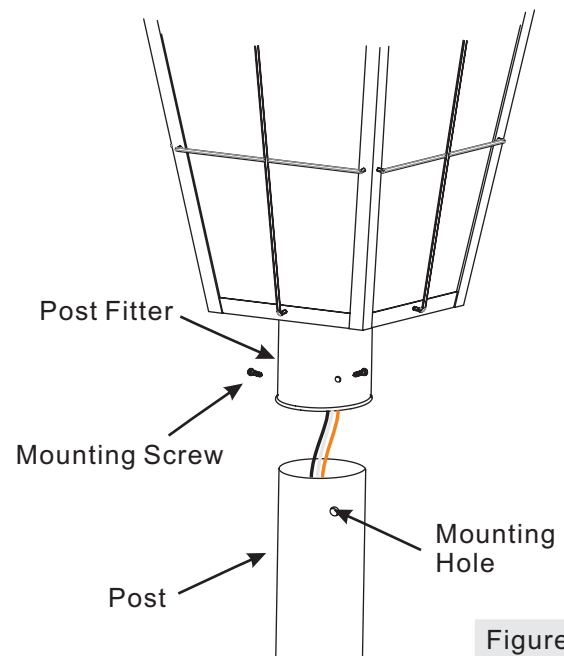


Figure 8

Thank you for purchasing a Quozel product.
Need assistance with parts or assembly? Call Quozel customer service at 1-631-273-2700
or visit us on-line at www. quozel. com