

E30004-10/E30014-10

ASSEMBLY INSTRUCTION:

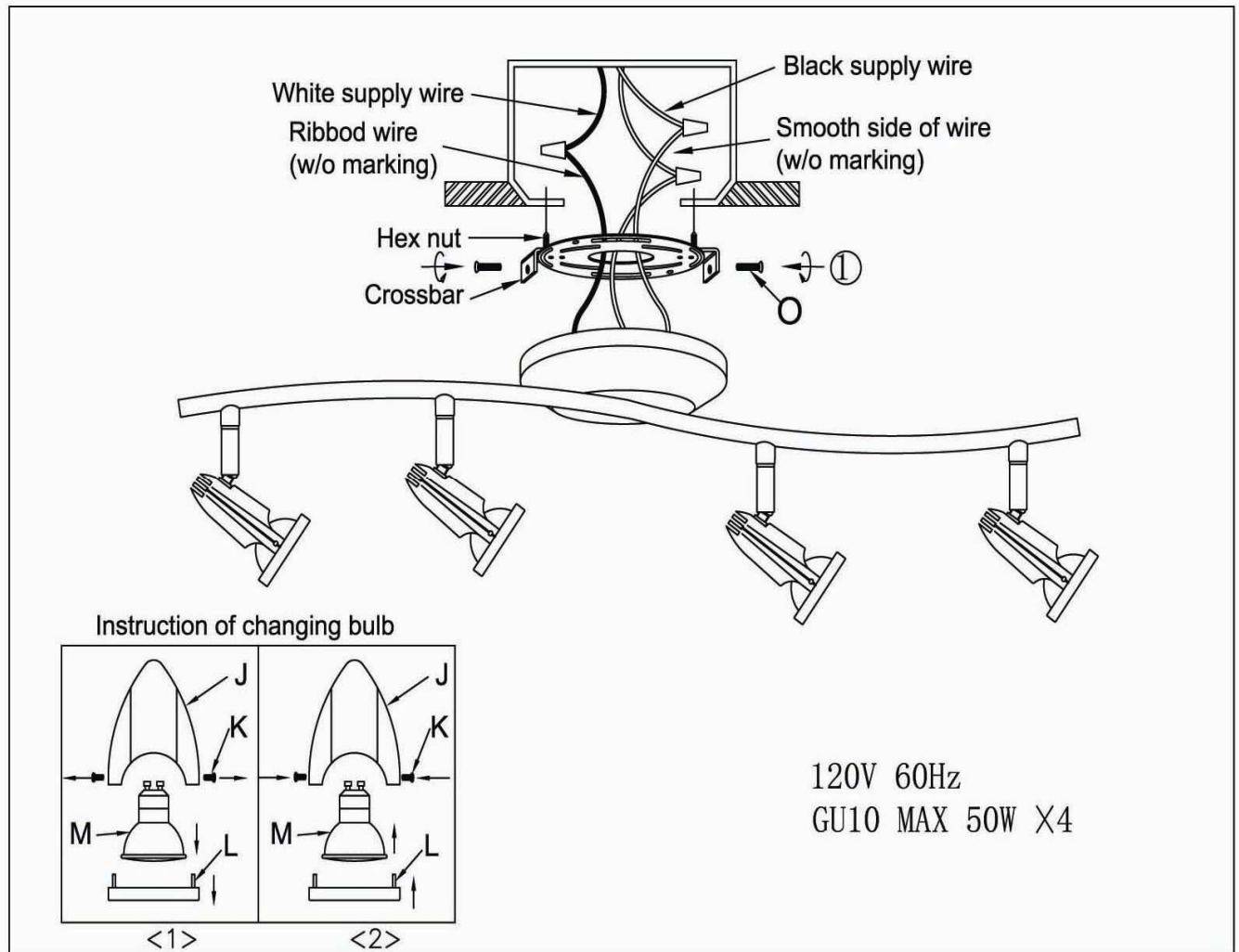
Carefully remove all parts from the box and remove all plastic coverings.

1) Connect the ceiling iron which have installed in the ceiling and the lamp by provided screw(O).

Instruction of changing bulb

1) Take away screw (K) and lampshade cover (L) from lampshade (J), then take away the bulb(M).

2) Install the GU10 bulb(M) (max. 50W, provided), put lampshade cover (L) into lampshade (J), then use provided screw(K) to lock it. Consult your local electrician with questions.



WARNING:

Do not use polishes or cleaners on your lamp.

WIPE CLEAN WITH SOFT DRY CLOTH.