

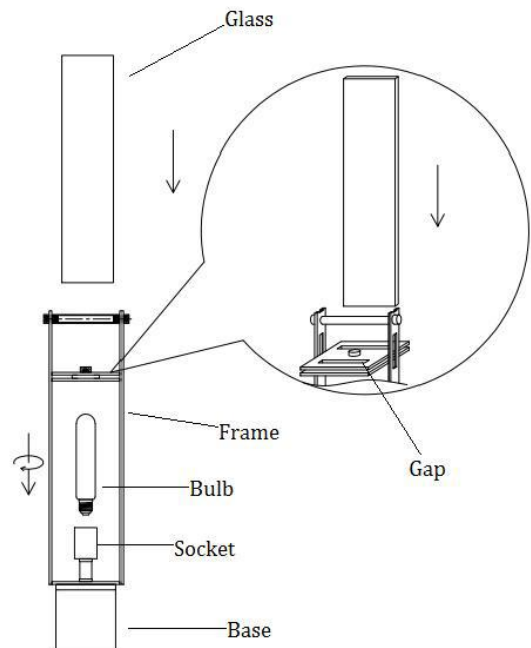


ASSEMBLY INSTRUCTIONS

STYLE#: 29732-1

Careful unpack all lamp parts from the carton.

1. Take the lamp carefully out of the Carton, and place it on a flat surface.
2. Install correct **Bulbs** referring to fixture markings and /or labels for maximum wattage. (Included)
3. Place the **Glass** into the **Frame Gap** carefully (the glass is smooth and faces inward.)



29732-1

IMPORTANT SAFETY INSTRUCTIONS

This portable lamp has a polarized plug (one blade is wider than the other) as a safety feature to reduce the risk of electric shock. This plug will fit in a polarized outlet only one way. If the plug does not fit fully in the outlet, reverse the plug. If it still does not fit, contact a qualified electrician. Never use with an extension cord unless plug can be fully inserted. Do not attempt to defeat this safety feature.